



## Incubator Im IF30mplus

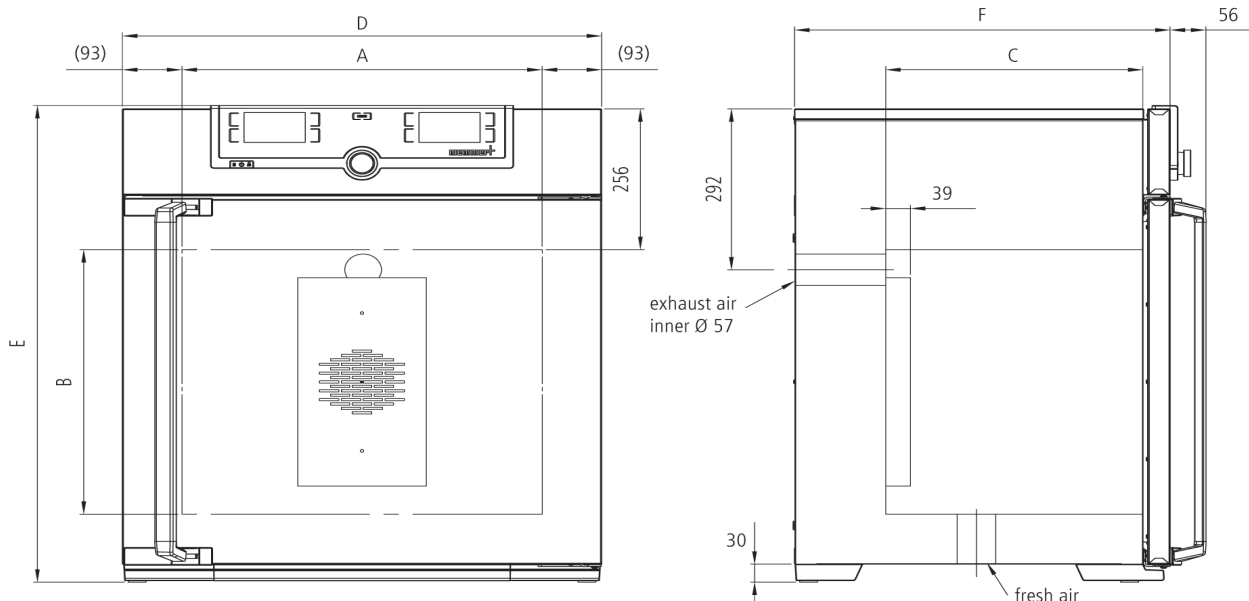
The incubator Im is a Class I medical device in accordance with the EU directive 93/42/EEC.



The unique all-round surface heating that the Memmert incubator Im features is perfect for both natural convection and forced air circulation. The fan can be switched off completely – without affecting the optimum temperature distribution. On this page, you can find all the essential technical data on our incubator. Our customer relations team will be pleased to help if you want further information. If you should require a customised special solution, please contact our technical specialists at [myAtmoSAFE@memmert.com](mailto:myAtmoSAFE@memmert.com).

The heating of this incubator is optimally tuned for forced air circulation; the fan can also be switched off completely, and valuable chamber loads for research, pharmaceuticals, medicine and food chemistry are warmed up very carefully.

On this page, you can find all the essential technical data on our incubator. Our customer relations team will be pleased to help if you want further information. If you should require a customised special solution, please contact our technical specialists at [myAtmoSAFE@memmert.com](mailto:myAtmoSAFE@memmert.com).



## Temperature

<b>Setting accuracy temperature</b>	0.1 °C
-------------------------------------	--------

## Control technology

<b>Language setting</b>	German, English, Spanish, French, Polish, Czech, Hungarian
<b>Timer</b>	Digital backwards counter with target time setting, adjustable from 1 minute to 99 days
<b>Function SetpointWAIT</b>	the process time does not start until the set temperature is reached
<b>Calibration</b>	three freely selectable temperature values

## Ventilation

<b>Vent</b>	vent connection with restrictor flap
-------------	--------------------------------------

## Communication

<b>Documentation</b>	programme stored in case of power failure
----------------------	---

## Safety

<b>Autodiagnostic system</b>	for fault analysis
------------------------------	--------------------

## Standard equipment

<b>Door</b>	fully insulated stainless steel door with 2-point locking (compression door lock)
<b>Internals</b>	1 stainless steel grid(s), electropolished
<b>Works calibration certificate</b>	incl. works calibration certificate for +37°C
<b>Door</b>	inner glass door

## Stainless steel interior

<b>Interior</b>	easy-to-clean interior, made of stainless steel, reinforced by deep drawn ribbing with integrated and protected large-area heating on four sides
<b>Volume</b>	32 l
<b>Dimensions</b>	$w_{(A)} \times h_{(B)} \times d_{(C)}$ : 400 x 320 x 250 mm
<b>Max. number of internals</b>	3
<b>Max. loading of chamber</b>	60 kg
<b>Max. loading per internal</b>	20 kg

### Textured stainless steel casing

**Dimensions**  $w_{(D)} \times h_{(E)} \times d_{(F)}$ : 585 x 704 x 434 mm

**Housing** rear zinc-plated steel

### Electrical data

**Voltage** 230 V, 50/60 Hz

**Electrical load** approx. 1600 W

**Voltage** 115 V, 50/60 Hz

**Electrical load** approx. 800 W

### Ambient conditions

**Set Up** The distance between the wall and the rear of the appliance must be at least 15 cm. The clearance from the ceiling must not be less than 20 cm and the side clearance from walls or nearby appliances must not be less than 5 cm.

**Altitude of installation** max. 2,000 m above sea level

**Ambient temperature** +5 °C to +40 °C

**Humidity rh** max. 80 %, non-condensing

**Overvoltage category** II

**Pollution degree** 2

### Packing/shipping data

**Transport information** The appliances must be transported upright

**Customs tariff number** 8419 8998

**Country of origin** Federal Republic of Germany

**WEEE-Reg.-No.** DE 66812464

**Dimensions approx incl. carton** w x h x d: 660 x 890 x 650 mm

**Net weight** approx. 48 kg

**Gross weight carton** approx. 64 kg

Standard units are safety-approved and bear the test marks

