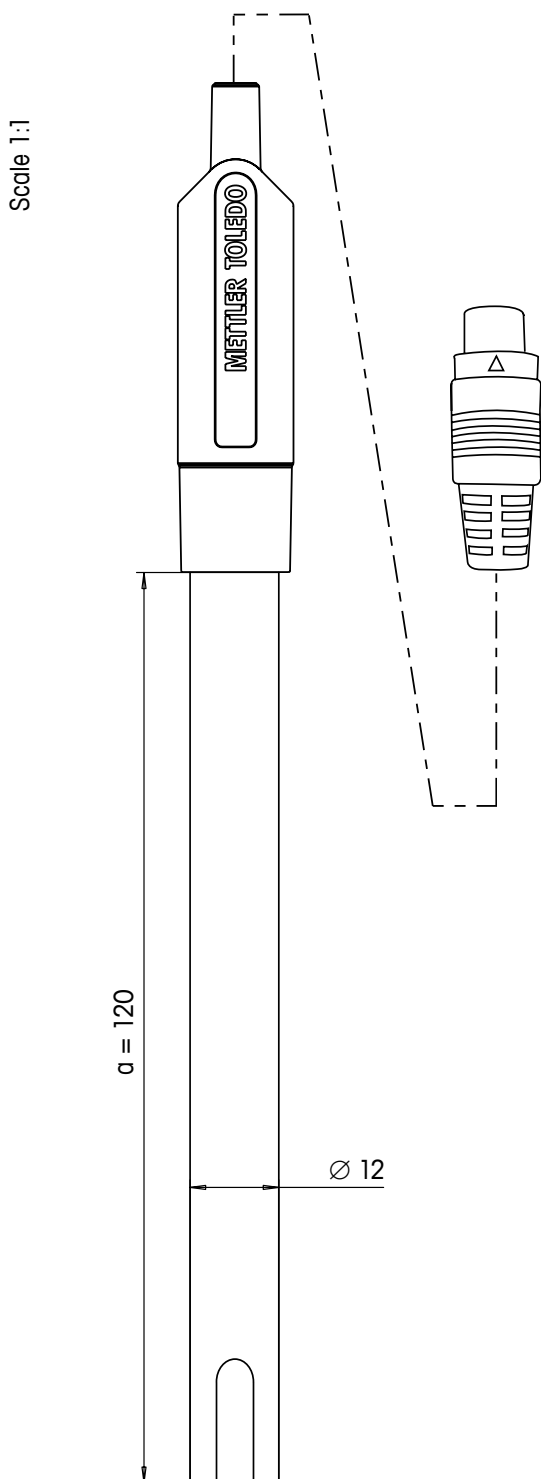


InLab[®] 731-ISM

Cond °C ISM



For general applications like standard and high conductivity samples.



Scale 1:1

Sensor type conductivity cell

Order number 30014092 -cable length 1.2 m
30014093 -cable length 2 m

Specifications
measuring range 0.01...1000 mS/cm
zero point (pH) -

temperature range 0...100 °C
temperature probe NTC 30 k Ω

shaft material epoxy
membrane glass -
membrane resistance -

reference system -
reference diaphragm -
reference electrolyte -
bridge electrolyte -

electrode head -

connector Mini-DIN

cell constant (cm⁻¹) 0.57
cell type 4 graphite poles

indicating metal -

Storage
dry