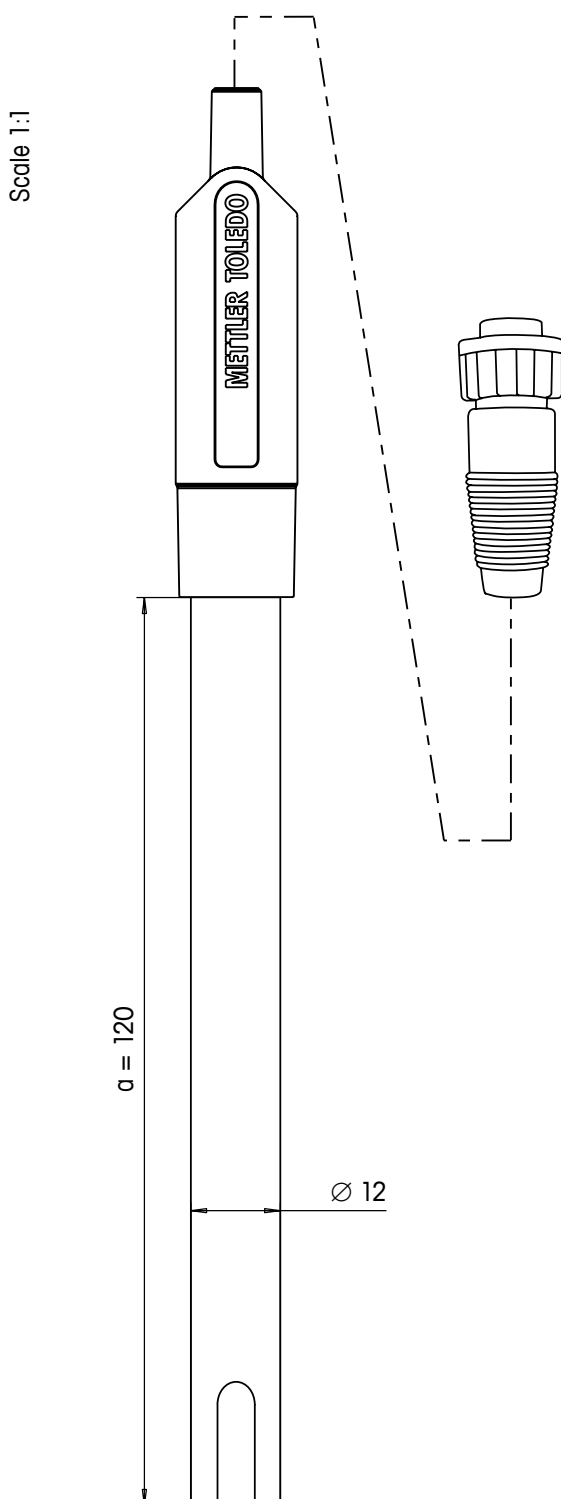


InLab® 738

Cond °C ISM



For portable applications in the lab and outdoor.
Ideal for standard and high conductivity samples.



Sensor type	conductivity cell
Order number	51344120 -cable length 1.8 m 51344122 -cable length 5 m 51344124 -cable length 10 m
Specifications	
measuring range	0.01...1000 mS/cm
zero point (pH)	-
temperature range	0...100 °C
temperature probe	NTC 30 kΩ
shaft material	epoxy
membrane glass	-
membrane resistance	-
reference system	-
reference diaphragm	-
reference electrolyte	-
bridge electrolyte	-
electrode head	-
connector	LTW (IP67)
cell constant (cm ⁻¹)	0.57
cell type	4 graphite poles
indicating metal	-
Storage	
dry	