

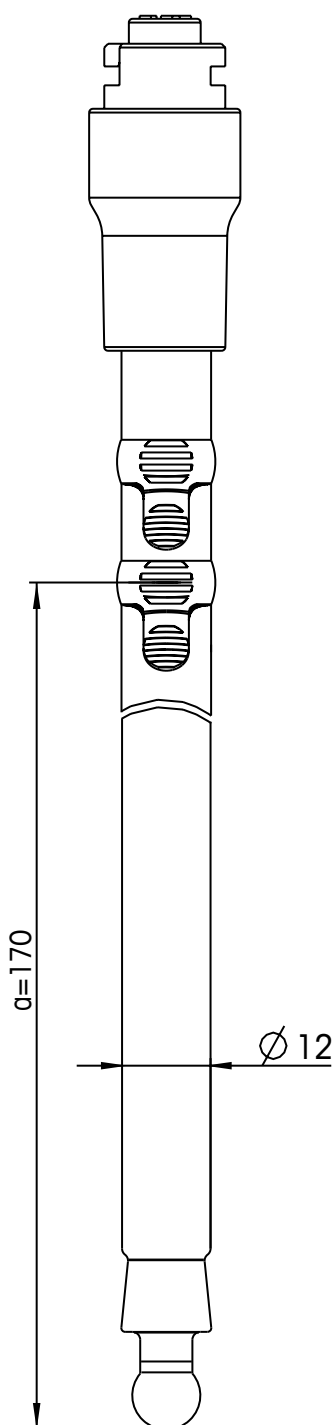
InLab[®] Pure Pro-ISM

pH Ref °C ISM



For ion-weak-samples like ultra-pure water, deionized water

Scale 1:1



Sensor type combined pH electrode

Order number 51344172

Specifications

pH range 1...11

zero point (pH) 7.00 ± 0.25

temperature range 0...80 °C

temperature probe NTC 30 k Ω

shaft material glass

membrane glass Lot

membrane resistance < 50 M Ω

reference system ARGENTHAL[™]

reference diaphragm fixed glass sleeve

reference electrolyte 3 mol/L KCl

bridge electrolyte 1 mol/L KCl

electrode head MultiPin[™]

cable length -

connector -

cell constant (cm⁻¹) -

cell type -

indicating metal -

Storage

InLab storage solution (30111142)
or 3 mol/L KCl (51350072)