

# Glassware

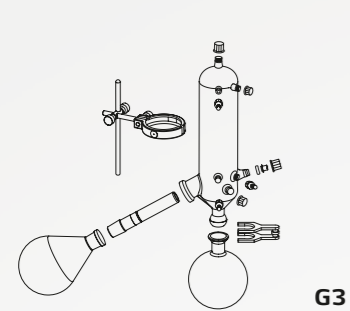
- Glassware set includes one 1,000-ml-evaporating flask and one 1,000-ml-receiving flask
- Evaporating flasks and vapor tube come standard with 29/32 joint size and are also available with 24/29 ground joints
- Ventilation cap without ground joints for easy handling and grease-free operation included
- A venting valve with refill function is optionally available
- G3/G3 XL or G6 glassware required for using DAA on Hei-VAP Expert/Ultimate Control models
- All glassware also available with transparent plastic coating (for temperature ranges up to max. 80 °C)



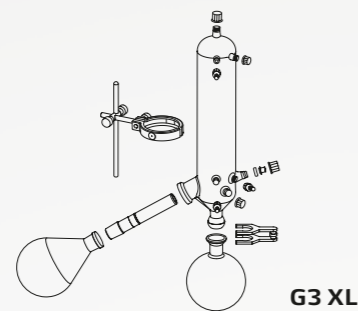
G1

## Glassware set G1

Diagonal condenser for all standard distillations; the option with the most affordable price



G3



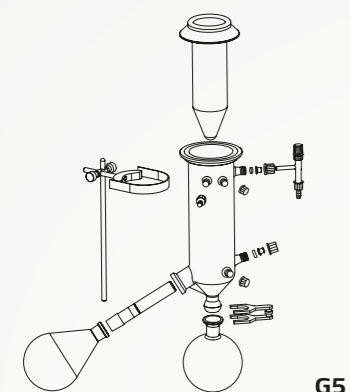
G3 XL

## Glassware set G3

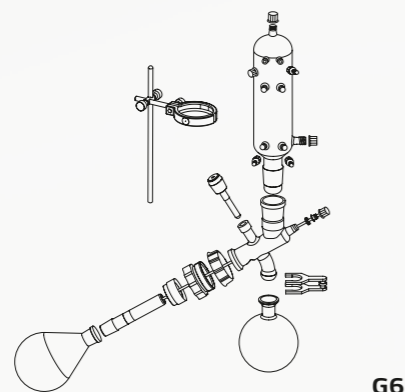
Vertical condenser for all standard distillations; the option with the smallest space requirements

## Glassware set G3 XL

Up to 40 % higher evaporation rate thanks to 2,200 cm<sup>2</sup> of cooling surface



G5



G6

## Glassware set G5

Dry ice condenser for low-boiling solvents

## Glassware set G6

Vertical condenser; centerpiece with valve for reflux distillation

Evaporation rate <sup>1</sup>	Toluene	Acetone	Ethanol	Isopropanol (IPA)	Water
G3 Vertical	6.5 l/h	6.0 l/h	2.5 l/h	4.0 l/h	1.4 l/h
G3 XL-Vertical	8.5 l/h	7.5 l/h	3.5 l/h	4.9 l/h	1.4 l/h
Improvement with XL-Condenser	31 %	25 %	40 %	23 %	system limit reached with 1.4 l/h

<sup>1</sup> With maximum condenser efficiency

# Accessories



## Evaporating flask

50 ml  
100 ml  
250 ml  
500 ml  
1,000 ml  
2,000 ml  
3,000 ml  
5,000 ml

### NS 29/32

514-70000-00  
514-71000-00  
514-72000-00  
514-73000-00  
514-74000-00  
514-75000-00  
514-76300-00  
514-78000-00

### NS 24/29

514-70000-01  
514-71000-01  
514-72000-01  
514-73000-01  
514-74000-01  
514-75000-01  
514-76300-01  
514-78000-03



## Receiving flask

100 ml  
250 ml  
500 ml  
1,000 ml  
2,000 ml  
3,000 ml

### standard

514-81000-00  
514-82000-00  
514-83000-00  
514-84000-00  
514-85000-00  
514-87000-00

### coated

514-81000-02  
514-82000-02  
514-83000-02  
514-84000-02  
514-85000-02  
514-87000-02



## Powder flask

500 ml  
1,000 ml  
2,000 ml

### NS 29/32

514-73200-00  
514-74200-00  
514-75300-00

### NS 24/29

514-73200-01  
514-74200-01  
514-75300-01



## Spider NS 14.5

With 6 distillation sleeves à 20 ml  
With 12 distillation sleeves à 20 ml  
With 20 distillation sleeves à 20 ml

### NS 29/32

15-300-005-09  
15-300-005-10  
15-300-005-11

### NS 24/29

15-300-005-12  
15-300-005-13  
15-300-005-06



## Spider NS 24

With 5 flasks à 50 ml  
With 5 flasks à 100 ml

### NS 29/32

15-300-005-04  
15-300-005-07

### NS 24/29

15-300-005-08  
15-300-005-05



## Evaporating cylinder

500 ml  
1,500 ml

### NS 29/32

514-00070-00  
514-00071-00

### NS 24/29

514-00070-01  
514-00071-01



## Foam brake

Foam brake with flask clamp

### NS 29/32

514-00004-00

### NS 24/29

514-00005-00

Standard joint size: NS 29/32 (NS 24/29 ground joints available on request)