



# FRONTIER™ 5917RF

High-Capacity Multi-Pro Centrifuges



## ***Powerful and Versatile High-throughput Centrifuges for Virtually Every Lab Application***

Frontier 5917RF is a high-capacity refrigerated centrifuge suitable for a wide variety of applications in diagnostic, biotech and industrial labs. FC5917RF has a capacity of up to 4 × 1 000 ml and the ability to high-throughput processing of blood bags and collection tubes, urine tubes, variety of bottles and plates in either fixed-angle or swing-out rotor. Available in both floor-standing and under-bench models and boasts high-speed performance at maximum volume, automatic rotor identification, and safety features that provide ergonomic and space-saving benefit.

### ***Features:***

- Thanks to its powerful motor, the FC5917RF delivers precise separation results achieving values up to 16010 rpm and 26 361 G-force. This can be configured to fit workflow needs using a selection of rotors and accessories.
- The intuitive design of the centrifuges & accessories enable easy access to parameter settings, with the flexibility to change parameters during operation without the need to stop the machine. Features include automatic rotor recognition and backlit LCD.
- The performance of these centrifuges is propelled by German engineering, and high-quality components for reliable use. Constructed of chemical-resistant stainless steel to ensure durability in lab use.

# FRONTIER™ 5917RF High-Capacity Multi-Pro Centrifuges

## Maximum Application Flexibility Within Space-Saving Design

- The FC5917RF model is available in two options: as a floor-standing unit or an under-bench unit, maximizing lab space and storage
- Thanks to its ergonomically designed height, the work area has been optimized, allowing for easy loading and unloading of samples
- Integrated wheels make it easy to move around, lending to even more flexibility
- FC5917RF features a convenient storage drawer, perfect for keeping your accessories organized and easily accessible
- Locking mechanism secure the centrifuge feet, ensuring stability during use
- 6 rotor configurations for a broad spectrum of applications and workflows
- From high-throughput samples all the way to cell and blood separation
- Capacity of up to 4×1 000 ml with the ability to spin up to 192 blood tubes or 96 15 ml conical tubes and 40 50 ml conical tubes



## Intuitively Designed for Simple Operation

- Automatic rotor identification makes switching between applications extremely easy
- Simple one-hand operation enabled by the selection button / rotary knob combination – even when wearing gloves
- Intuitive, easy-to-read backlit LCD display shows centrifugation settings and real-time parameters on one interface
- Store up to 99 runs for easy recall, including parameter settings and rotor types



## Solid Engineering Ensures Reliability

- Maintenance-free induction motor provides maximum G-force of 26 361 × g
- Chemical and corrosion-resistant stainless steel rotor chamber ensures cleanability in lab environments
- Self-diagnostic program to record usage and error history for easy maintenance and to minimize downtime
- FC5917RF has refrigeration capabilities from 40 °C to -20 °C
  - R290, an environmentally friendly coolant, contributes to the eco-friendliness of refrigerated centrifuges by minimizing their environmental impact and supporting efforts to combat global warming
  - Pre-cool feature quickly lowers the temperature of rotor and chamber before a run



# FRONTIER™ 5917RF High-Capacity Multi-Pro Centrifuges

## Safety Features for Increased Security

- Over-speed protection, immediately upon rotor insertion
- Active imbalance-detection with individual imbalance tolerances set for each rotor
- Motorized lid-locking system to protect operators from accidental injuries
- Sealed and TÜV certified rotors to safeguard operators from harmful aerosols
- The rotor cycle counter enhances safety by monitoring the number of centrifugation cycles, providing timely alerts for rotor replacement to prevent potential failure and ensure optimal performance.

## Specifications


Model	FC5917RF Floor-standing	FC5917RF Under Bench
Order No.	230V: 83042055	230V: 83042056
Speed Range	200 rpm – 16 010 rpm; 10 rpm / increments Angle Rotor: 16 010 rpm Swing out Rotor: 4 600 rpm	
Maximum RCF	26 361 × g; 10 × g / increments Angle Rotor: 26 361 × g Swing out Rotor: 5 204 × g	
Maximum Capacity (Rotor)	Angle Rotor: 6 × 250 ml Swing out Rotor: 4 × 1 000 ml	
Temperature Range	-20 °C to 40 °C, 1 °C/increments	
Refrigerant	R290 (Propane)	
Running Time	Quick Spin, 10 sec to 99 hr 59 min, or continuous	
Noise Level (depending on the rotor)	≤ 63 + 2 dB(A)	
Acc/Dec Levels	10/10	
Allowable Density at Maximum Speed	1,2 g/ml	
Allowable Kinetic Energy	70412 Nm	
Rated voltage	230 V/50-60 Hz	
Voltage Fluctuation	± 10%	
Rated current	13 A	
Power continues	2,3 kW	
Dimensions (W×D×H)	620×690×980 mm	620×690×700 mm
Net Weight (without rotor)	190 kg	157 kg
Shipping Dimensions (W×D×H)	930×780×1 260 mm	930×780×930 mm
Shipping Weight (without rotor)	225 kg	183 kg
Ambient conditions (EN/IEC 61010-1)	Environment	For indoor use only
	Altitude	Use up to an altitude of 2 000 m
	Ambient temperature	5 °C up to 35 °C
	Max. relative humidity	Max. relative humidity 80 % for temperatures up to 31 °C, Decreasing linearly to 50 % relative humidity up to 35 °C.
EMC	EN/IEC 61326-1 Class B emissions, Basic immunity, FCC Class B emissions	
Not suitable for use in hazardous environments.		

# FRONTIER™ 5917RF High-Capacity Multi-Pro Centrifuges

Tube Type	Tubes Type	Tube diamentions	Number of tubes per centrifuge
	Microtubes	5 ml (Ø 16,5×69 mm)	96
	Blood Collection Tubes	1,8 – 5 ml (Ø 13×75 mm)	192
		4 – 7 ml (Ø 13×100 mm)	192
		6 – 10 ml (Ø 16×100 mm)	152
	Conical Tubes	15 ml (Ø 17×120 mm)	96
		50 ml (Ø 29×116 mm)	40
		175 ml (Ø 61×118 mm)	8
		225 ml (Ø 61×137 mm)	8
		250 ml (Ø 60×159 mm)	4
500 ml (Ø 97×148 mm)		4	

Tube Type	Tubes Type	Tube diamentions	Number of tubes per centrifuge
	Vials & Bottles	15 ml Round Bottom (Ø 17×120 mm)	72
		50 ml Round Bottom (Ø 29×116 mm)	40
		100 ml Round Bottom (Ø 44×100 mm)	12
		250 ml Flat Bottom (Ø 62×122 mm)	8
		290 ml Flat Bottom (Ø 62×137 mm)	8
		500 ml Flat Bottom (Ø 98×114 mm)	4
		750 ml Flat Bottom (Ø 98×152 mm)	4
		1 000 ml Flat Bottom (Ø 98×172 mm)	4

## Accessories

	Order No.	83041512
	Description	Rotor Swing out 4×1 000 ml ID
	Compatible with	FC5917RF
	Max. Speed	4600 rpm
	Max. RCF	5204×g


### Accessories

Order No.	Description	Vol./Tube	Diameter	Tube type	No.of tubes / rotor
<b>Round Bucket (with TUV Certificate) and accessories</b>					
83041513	Bucket 1×1 000 ml w/o Cap, 2 pk	1000 ml	98 mm	Flat Bottom	4
30553122*	Lid Assembly for round bucket, 2 pk	–	–	–	–
30553123	O-Ring for round bucket, 10 pk	–	–	–	–
83041514	Rack 1×500 ml D69,5 mm FB, 2 pk	500 ml	69,6 mm	Flat Bottom	4
30553124	Rack 1×500 ml D97 mm FA, 2 pk	500 ml	97 mm	Conical Bottom Corning®	4
30553125	Rack 1×250 ml D62 mm FB, 2 pk V1	250 ml	62 mm	Flat Bottom	4
83041515	Rack 1×250 ml D60 mm FA, 2 pk	250 ml	60 mm	Conical Bottom	4
30553126	Rack 1×175/225 ml D61 mm FA, 2 pk	175/225 ml	61 mm	Conical Bottom Corning®	4
30553127	Rack 3×100 ml D41 mm RB, 2 pk	100 ml	41 mm	Round Bottom	12
30553131	Rack 7×50 ml D29 mm RB, 2 pk	50 ml	29 mm	Round Bottom	28
30553128	Rack 5×50 ml D29 mm FA, 2 pk	50 ml	29 mm	Conical Bottom	20
30553129	Rack 5×50 ml D29 mm Rim, 2 pk	50 ml	29 mm	Skirted Conical Bottom	20
30553132	Rack 8×30 ml D26 mm RB, 2 pk	30 ml	26 mm	Round Bottom	24
30553135	Rack 18×15 ml D17 mm RB, 2 pk	15 ml	17 mm	Round Bottom	72
83041516	Rack 12×15 ml D17 mm FA, 2 pk	15 ml	17 mm	Conical Bottom	48
30553136	Rack 21×10 ml D16 mm RB, 2 pk	10 ml	16 mm	Round Bottom	84
83041517	Rack 35×5-7 ml D13 mm RB, 2 pk	5-7 ml	13 mm	Round Bottom	140
30553140	Rack 18×4/10 ml D16 mm Vac/Sar, 2 pk	4-10 ml	16 mm	Vacutainer®/Sarstedt®	72
30553139	Rack 27×1,8/7 ml D13 mm Vac/Sar, 2 pk	1,8-7 ml	13 mm	Vacutainer®/Sarstedt®	108
30559377	Rack 38×1,1/1,4 ml D8 mm Sar, 2 pk	1,1-1,4 ml	8 mm	Vacutainer®/Sarstedt®	152
83041040	Rack 24×1,5/2,0 ml D11 mm, 2 pk	1,5/2,0 ml	11 mm	Microtube	96
<b>Bucket for 500 ml Blood Bags and accessories</b>					
83041521	Bucket 1×500 ml Blood Bag, 2 pk	–	–	–	–
83041522	Adapter 1×500 ml Blood Bag, 2 pk	500 ml	–	Blood Bag	4
<b>Bucket for 750 ml Blood Bags and accessories</b>					
83041523	Bucket 1×750 ml Blood Bag, 2 pk	–	–	–	–
83041524	Adapter 1×750 ml Blood Bag, 2 pk	750 ml	–	Blood Bag	4

\* BIOSEALS certified: When using the Lid Assembly (with 1 EA O-ring ) on the rotor, the buckets are hermetically sealed. O-ring should be changed when it's worn.

\*\* ATTENTION: max. RPM / RCF with rectangular buckets 83041518 only 4 200 rpm / 3 964 ×g

# FRONTIER™ 5917RF High-Capacity Multi-Pro Centrifuges

	Order No.	83041512			
	Description	Rotor Swing out 4×1 000 ml ID			
	Compatible with	FC5917RF			
	Max. Speed	4 200 rpm (max. rpm for 83041518)			
	Max. RCF	3 964×g (max RCF for 83041518)			
<b>Accessories</b>					
<b>Order No.</b>	<b>Description</b>	<b>Vol./Tube</b>	<b>Diameter</b>	<b>Tube type</b>	<b>No.of tubes /rotor</b>
<b>Rectangular Bucket and accessories</b>					
83041518**	Bucket 1×500 ml or 7×MTP w/o Lid, 2 pk	–	–	MTP	28
83041519	Holder removing aid bucket 83041518, 2 pk	–	–	–	–
83041482	Rack 1×500 ml D98 mm FB, 2 pk	500 ml	98 mm	Flat Bottom	4
30553124▲	Rack 1×500 ml D97 mm FA, 2 pk	500 ml	97 mm	Conical Bottom Corning®	4
83041483	Rack 2×250/290 ml D61 mm FB, 2 pk	250-290 ml	61 mm	Flat Bottom	8
83041484▲▲	Rack 1×175/225 ml D61 mm FA, 4 pk	175-225 ml	61 mm	Conical Bottom	4
83041485	Rack 3×100 ml D40 mm, 2 pk	100 ml	40 mm	Round Bottom	12
83041486	Rack 10×50 ml D29 mm RB, 2 pk	50 ml	29 mm	Round Bottom	40
83041487	Rack 10×50 ml D29 mm FA, 2 pk	50 ml	29 mm	Conical Bottom	40
83041488	Rack 24×15 ml D17 mm FA, 2 pk	15 ml	17 mm	Conical Bottom	96
83041489	Rack 24×5 ml D17 mm FA, 2 pk	5 ml	16 mm	Conical Bottom	96
83041490	Rack 38×5,5-12 ml D16 mm Vac/Sar, 2 pk	5,5-12 ml	16 mm	Vacutainer®/Sarstedt®	152
83041491	Rack 48×2,6-8 ml D13 mm Vac/Sar, 2 pk	2,6-8 ml	13 mm	Vacutainer®/Sarstedt®	192

▲ 30553124 Can be used only with 83041482

▲▲ 83041484 Can be used only with 83041483

\* BIOSEALS certified: When using the Lid Assembly (with 1 EA O-ring ) on the rotor, the buckets are hermetically sealed. O-ring should be changed when it's worn.

\*\* ATTENTION: max. RPM / RCF with rectangular buckets 83041518 only 4 200 rpm / 3 964×g

# Multi-Pro Accessories

## Packages for Round Bucket

### Cell Culture Package



Order No.	Description		
83041492	Package Cell Culture for 1000ml Bucket (BIOSEALS certified)		
Products Included in the Package			
Order No.	Description	Qty	Number of Tubes
83041512	Rotor Swing out 4×1000 ml ID	1	-
83041513	Bucket 1×1000ml w/o Cap, 2 pk	2	-
30553122*	Lid Assembly for round bucket, 2 pk	2	-
30553128	Rack 5×50ml D29mm FA, 2 pk	2	20
83041516	Rack 12×15 ml D17mm FA, 2 pk	2	48

### Blood Tube Package



Order No.	Description		
83041493	Package Blood Tubes for 1 000 ml Bucket (BIOSEALS certified)		
Products Included in the Package			
Order No.	Description	Qty	Number of Tubes
83041512	Rotor Swing out 4×1000 ml ID	1	-
83041513	Bucket 1×1 000 ml w/o Cap, 2 pk	2	-
30553122*	Lid Assembly for round bucket, 2 pk	2	-
30553139	Rack 27×1,8/7 ml D13mm Vac/Sar, 2 pk	2	108
30553140	Rack 18×4/10 ml D16mm Vac/Sar, 2 pk	2	72

## Packages for Rectangular Bucket

### High-Capacity Cell Culture Package



Order No.	Description		
83041494	Package Cell Culture for 500 ml Bucket		
Products Included in the Package			
Order No.	Description	Qty	Number of Tubes
83041512	Rotor Swing out 4×1000 ml ID	1	-
83041518**	Bucket 1×500 ml or 7×MTP w/o Lid, 2 pk	2	-
83041487	Rack 10×50ml D29mm FA, 2 pk	2	40
83041488	Rack 24×15 ml D17mm FA, 2 pk	2	96

### High-Capacity Blood Tube Package




Order No.	Description		
83041495	Package Blood Tubes for 500 ml Bucket		
Products Included in the Package			
Order No.	Description	Qty	Number of Tubes
83041512	Rotor Swing out 4×1000 ml ID	1	-
83041518**	Bucket 1×500 ml or 7×MTP w/o Lid, 2 pk	2	-
83041491	Rack 48×2,6-8ml D13mm Vac/Sar, 2 pk	2	192
83041490	Rack 38×5,5-12 ml D16mm Vac/Sar, 2 pk	2	152

\* BIOSEALS certified: When using the Lid Assembly (with 1 EA O-ring ) on the rotor, the buckets are hermetically sealed. O-ring should be changed when it's worn.

\*\* ATTENTION: max. RPM / RCF with rectangular buckets 83041518 only 4 200 rpm / 3 964 × g


# FRONTIER™ 5917RF High-Capacity Multi-Pro Centrifuges

	Order No.	30553085			
	Description	Rotor Swing out 4×750 ml ID			
	Compatible with	FC5917RF			
	Max. Speed	4500 rpm			
	Max. RCF	4346×g			
<b>Accessories</b>					
<b>Order No.</b>	<b>Description</b>	<b>Vol./Tube</b>	<b>Diameter</b>	<b>Tube type</b>	<b>No.of tubes /rotor</b>
<b>Bucket for MTP (with TÜV Certificate) and accessories</b>					
30553104	Bucket 3×MTP, 2 pk V1	–	–	MTP	12
30553105	Holder Removing aid Bucket 30553104, 2 pk	–	–	–	–
30553117*	Lid Assembly for Bucket 30553104, 2 pk	–	–	–	–
30553118	O-Ring for bucket 30553104, 2 pk	–	–	–	–
<b>Bucket for MTP (without TÜV Certificate)</b>					
30553119	Bucket 3×MTP, 2 pk V2	–	–	MTP	12
<b>Round Bucket and accessories</b>					
30602502	Bucket 1×750 ml D98 mm FB, 2 pk	500 ml	98 mm	Flat Bottom	4
30553122*	Lid Assembly for round bucket, 2 pk	–	–	–	–
30553123	O-Ring for round bucket, 10 pk	–	–	–	–
30553124	Rack 1×500 ml D97 mm FA, 2 pk	500 ml	97 mm	Conical Bottom Corning®	4
30553125	Rack 1×250 ml D62 mm FB, 2 pk V1	250 ml	62 mm	Flat Bottom	4
30772866	Rack 1×250 ml D60 mm FA, 2 pk	250 ml	60 mm	Conical Bottom	4
30553126	Rack 1×175/225 ml D61 mm FA, 2 pk	175/225 ml	61 mm	Conical Bottom	4
30553127	Rack 3×100 ml D41 mm RB, 2 pk	100 ml	41 mm	Round Bottom	12
30553128	Rack 5×50 ml D29 mm FA, 2 pk	50 ml	29 mm	Conical Bottom	20
30553129	Rack 5×50 ml D29 mm Rim, 2 pk	50 ml	29 mm	Skirted Conical Bottom	20
30553130	Rack 7×50 ml D29 mm FA, 2 pk	50 ml	29 mm	Conical Bottom	28
30553131	Rack 7×50 ml D29 mm RB, 2 pk	50 ml	29 mm	Round Bottom	28
30553132	Rack 8×30 ml D26 mm RB, 2 pk	30 ml	26 mm	Round Bottom	32
83041032▲	Adapter 1×25 ml D29 mm FA, 2 pk	25 ml	29 mm	Conical Bottom	6
30553133	Rack 14×15 ml D17 mm FA, 2 pk	15 ml	17 mm	Conical Bottom	56
30553134	Rack 17×15 ml D17 mm FA, 2 pk	15 ml	17 mm	Conical Bottom	68
30553135	Rack 18×15 ml D17 mm RB, 2 pk	15 ml	17 mm	Round Bottom	72
30553136	Rack 21×10 ml D16 mm RB, 2 pk	10 ml	16 mm	Round Bottom	84
30553138	Rack 32×7 ml D13 mm RB, 2 pk	7 ml	13 mm	Round Bottom	128
30553139	Rack 27×1,8-7 ml D13 mm Vac/Sar, 2 pk	1,8-7 ml	13 mm	Vacutainer® / Sarstedt®	108
30553140	Rack 18×4-10 ml D16 mm Vac/Sar, 2 pk	4-10 ml	16 mm	Vacutainer® / Sarstedt®	72
30559377	Rack 38×1,1-1,4 ml D8 mm Sar, 2 pk	1,1-1,4 ml	8 mm	Sarstedt®	152
83041040	Rack 24×1,5 / 2,0 ml D11 mm, 2 pk	1,5/2,0 ml	11 mm	Microtube	96

▲ Only possible with Rack 30553128 or 30553130


\* BIOSEALS certified: When using the Lid Assembly (with 1 EA O-ring ) on the rotor, the buckets are hermetically sealed. O-ring should be changed when it's worn.

# FRONTIER™ 5917RF High-Capacity Multi-Pro Centrifuges

	Order No.	30553086
	Description	Rotor Angle 4×500 ml ID
	Compatible with	FC5917RF
	Max. Speed	8000 rpm
	Max. RCF	10374×g

### Accessories

Order No.	Description	Vol./Tube	Diameter	Tube type	No.of tubes /rotor
Without Adapter	Rotor Angle 4×500 ml ID	500 ml	96 mm	Flat Bottom	4
30559416	Adapter 1×250 ml D60,5 mm FA, 2 pk	250 ml	60,5 mm	Conical Bottom	4
30564850	Adapter 1×250 ml D61,5 mm FB, 2 pk	250 ml	61,5 mm	Flat Bottom	4
30559417	Adapter 1×175/225 ml D61,5 mm FA, 2 pk	175/225 ml	61,5 mm	Conical Bottom	4
30559419	Adapter 1×50 ml D29,5 mm FA, 2 pk	50 ml	29,5 mm	Conical Bottom	4
30559420	Adapter 3×50 ml D29 mm RB, 2 pk	50 ml	29 mm	Round Bottom	12
30559421	Adapter 4×30 ml D25,5 mm RB, 2 pk	30 ml	25,5 mm	Round Bottom	16
30559422	Adapter 6×15 ml D17 mm FA, 2pk	15 ml	17 mm	Conical Bottom	24


	Order No.	30314821
	Description	Rotor Angle 6×250 ml FB ID
	Compatible with	FC5917RF
	Max. Speed	8000 rpm
	Max. RCF	10016×g

### Accessories

Order No.	Description	Vol./Tube	Diameter	Tube type	No.of tubes /rotor
Without Adapter	Rotor Angle 6×250 ml FB ID	250 ml	62 mm	Flat Bottom	6
30559414	Adapter 1×175/225 ml D61 mm FA, 2 pk	175/225 ml	61 mm	Conical Bottom	6
30304373	Adapter 1×50 ml D29 mm RB, 2 pk	50 ml	29 mm	Round Bottom	6
30304374	Adapter 1×50 ml D30 mm FA, 2 pk	50 ml	30 mm	Conical Bottom	6
30304372	Adapter 2×30 ml D26 mm RB, 2 pk	30 ml	26 mm	Round Bottom	12
83041032▲	Adapter 1×25 ml D29 mm FA, 2 pk	25 ml	29 mm	Conical Bottom	6
30304371	Adapter 4×15 ml D17 mm FA, 2 pk	15 ml	17 mm	Conical Bottom	24
30304370	Adapter 5×10 ml D16 mm RB, 2 pk	10 ml	16 mm	Round Bottom	30
30304369	Adapter 8×1,5/2,0 ml D11 mm, 2 pk	1,5/2,0 ml	11 mm	Microtube	48
30559412	Adapter 15×1,5/2,0 ml D11 mm MTB, 2 pk	1,5/2,0 ml	11 mm	Microtube	90

▲ Only possible with Adapter 30304374


# FRONTIER™ 5917RF High-Capacity Multi-Pro Centrifuges

	Order No.	30314827
	Description	Rotor Angle 4×85 ml RB ID Hi
	Compatible with	FC5917RF
	Max. Speed	16010 rpm
	Max. RCF	26361 ×g

### Accessories

Order No.	Description	Vol./Tube	Diameter	Tube type	No.of tubes / rotor
Without Adapter	Rotor Angle 4×85 ml RB ID Hi	85 ml	38 mm	Round Bottom	4
30314895	Adapter 1×50 ml D29 mm RB, 2 pk V1	50 ml	29 mm	Round Bottom	4
30314896*	Adapter 1×50 ml D29 mm FA, 2 pk	50 ml	29 mm	Conical Bottom	4
30314894	Adapter 1×30 ml D25 mm RB, 2 pk	30 ml	25 mm	Round Bottom	4
30314899	Adapter 1×16 ml D18 mm RB, 2 pk	16 ml	18 mm	Round Bottom	4
30314897*	Adapter 1×15 ml D17 mm FA, 2 pk	15 ml	17 mm	Conical Bottom	4
30314898	Adapter 2×15 ml D17 mm RB, 2 pk	15 ml	17 mm	Round Bottom	8
30314893	Adapter 1×15 ml D17 mm RB, 2 pk	15 ml	17 mm	Round Bottom	4

\* Only without rotor lid

	Order No.	30314829
	Description	Rotor Angle 10×50 ml FA ID
	Compatible with	FC5917RF
	Max. Speed	10500 rpm
	Max. RCF	16022 ×g

### Accessories

Order No.	Description	Vol./Tube	Diameter	Tube type	No.of tubes / rotor
Without Adapter	Rotor Angle 10×50 ml FA ID	50 ml	29 mm	Conical Bottom	10
83041032	Adapter 1×25 ml D29 mm FA, 2 pk	25 ml	29 mm	Conical Bottom	10
30472300	Adapter 1×15 ml D17 mm RB, 2 pk V1	15 ml	17 mm	Round Bottom	10
30472307	Adapter 1×15 ml D17 mm FA, 2 pk V1	15 ml	17 mm	Conical Bottom	10
30130889▲	Adapter 1×7 ml D13 mm RB/Vac/Sar, 2 pk	7 ml	13 mm	Round Bottom/Vacutainer®/Sarstedt®	10
30130890▲	Adapter 1×5 ml D13 mm RB/Vac/Sar, 2 pk	5 ml	13 mm	Round Bottom/Vacutainer®/Sarstedt®	10
30130886▲	Adapter 1×1,5/2,0 ml D11 mm, 6 pk	1,5/2,0 ml	11 mm	Microtube	10

▲ Only possible with adapter 30472300 or 30472307

Shortcut list:

ID – auto rotor identification  
FA – Conical bottom / Falcon®

Hi – version with higher speed  
FB – Flat bottom

Vac – Vacutainer®  
RB – Round bottom

Sar – Sarstedt®  
Rim – Skirted conical bottom

# FRONTIER™ 5917RF High-Capacity Multi-Pro Centrifuges

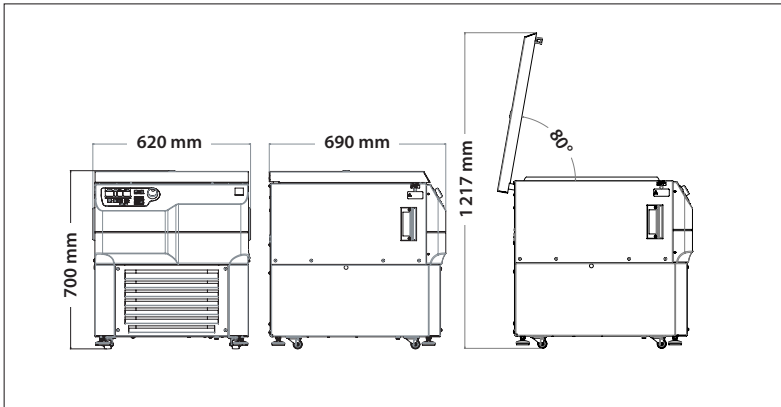
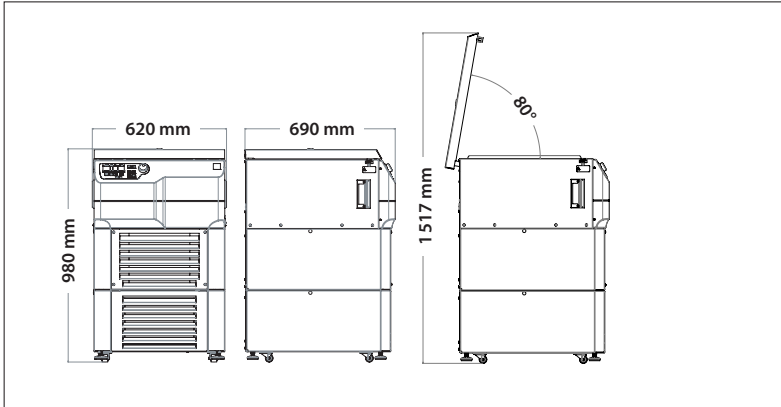
## Other Standard Features and Equipment

Microprocessor control, Imbalance switch-off, Audible signal at the end of each run with melody options, Emergency release, 99 memory sets, Ten acceleration and ten deceleration rates, Pre-selection of running time from 10 sec to 99 hr 59 min or continuous, Quick spin for short runs.

## Compliance

See Declaration of Conformity available CE Declarations | OHAUS

## Outline Dimensions



OHAUS Europe GmbH

e-mail: [ssc@ohaus.com](mailto:ssc@ohaus.com)

Tel: 0041 22 567 53 19

e-mail: [tsc@ohaus.com](mailto:tsc@ohaus.com)

Tel: 0041 22 567 53 20

[www.ohaus.com](http://www.ohaus.com)

*The management system governing the manufacture of this product is ISO 9001:2015 certified.*

80776934\_D 20260226 © Copyright OHAUS Corporation

Click or scan for the web

