



FRONTIER™ 5513L

High-Speed Micro Centrifuges



Compact Micro Centrifuge with Modern Touch-Wheel Interface for Ideal Routine Centrifugation of Microtubes

Frontier 5513L is a space-saving micro centrifuge capable of spinning 18 × 1,5/2,0 ml microtubes and generating forces up to 15 995 × g for basic molecular biology applications like DNA/RNA purification and extraction. Engineered with convenient operation in mind, the FC5513L features a uniquely designed splash-proof front panel with touch-wheel control for quick and easy adjustment.

Features:

- Frontier 5513L includes an ergonomically designed 18 × 1,5/2,0 ml microtube rotor that quickly and easily closes with 1/4 of a turn. Adapters allow for spinning of 0,5 ml or 0,2/0,4 ml microtubes.
- Designed for ease of operation, the FC5513L features convenient control on a protective splash-proof interface, which allows for responsive operation – even when wearing gloves.
- With a small footprint, Frontier 5513L centrifuge is compact enough to save valuable space on the bench, yet large enough to accommodate sufficient number of microtubes ideal for DNA applications.

FRONTIER™ 5513L High-Speed Micro Centrifuges

Sleekly Designed Interface Enables Smooth Operation for a Great User Experience

- Easy-to-Use touch-wheel interface for parameter adjustments
- Convenient interface shows both set and actual parameters
- One-touch toggling between RPM/RCF, Acc/Dec
- Crisp display on a double-line LCD display with light blue backlight



Solid Engineering to Ensure Functionality and Reliability

- True splash-proof panel protects the centrifuge from accidental sample spilling
- Maintenance-free induction motor produces maximum G-force of 15 994×g and 14 000 rpm
- 10 acceleration/deceleration settings
- 99 memory sets to quickly store and recall commonly used parameters



Safety Features that Prevent Injury

- Rotor imbalance sensing systems stops the unit when it detects an imbalanced load
- Mechanical lid-locking system prevents centrifuge from opening during operation



FRONTIER™ 5513L High-Speed Micro Centrifuges

Specifications

Model	FC5513L	
Order No.	230V: 83041043	120V: 83041044
Speed Range	200 rpm – 14 000 rpm; 10 rpm / increments	
Maximum RCF	15 994×g; 10×g / increments	
Maximum Capacity (Rotor)	Angle Rotor: 18×1,5/2,0 ml	
Temperature Range	Air cooled	
Refrigerant	N/A	
Running Time	Quick Spin, 10 sec to 99 hr 59 min, or continuous	
Noise Level	≤ 57 + 2 dB(A)	
Acc/Dec Levels	10/10	
Allowable Density at Maximum Speed	1,2 g/ml	
Allowable Kinetic Energy	1 429 Nm	
Rated voltage	230 V/50 - 60 Hz	120 V/50 - 60 Hz
Voltage Fluctuation	± 10 %	
Rated current	0,8 A	1,7 A
Power continues	120 W	130 W
Dimensions (W×D×H)	277×351×231 mm	
Net Weight (without rotor)	14 kg	
Shipping Dimensions (W×D×H)	360×450×350 mm	
Shipping Weight (without rotor)	16 kg	
Ambient conditions (EN/IEC 61010-1)	Environment	For indoor use only
	Altitude	Use up to an altitude of 2000 m
	Ambient temperature	5 °C up to 35 °C
	Max. relative humidity	Max. relative humidity 80 % for temperatures up to 31 °C, Decreasing linearly to 50 % relative humidity up to 35 °C.
EMC	EN/IEC 61326-1 Class B emissions, Basic immunity FCC Class B emissions	
Not suitable for use in hazardous environments.		

Accessories

	Order No.	83041006
	Description	Rotor Angle 18×1,5/2,0 ml
	Compatible with	FC5513L
	Max. Speed	14 000 rpm
	Max. RCF	15 994×g

Accessories

Order No.	Description	Vol./Tube	Diameter	Tube Type	No. of Tubes/Rotor
Without Adapter	Rotor Angle 18×1,5/2,0 ml	1,5/2,0 ml	11 mm	Microtube	18
30130885	Adapter 1×0,5 ml D8 mm, 6 pk	0,5 ml	8 mm	Microtube	18
30130884	Adapter 1×0,2/0,4 ml D6 mm, 6 pk	0,2/0,4 ml	6 mm	Microtube	18

Shortcut list:

ID – auto rotor identification
FA – Conical bottom / Falcon®

Hi – version with higher speed
FB – Flat bottom

Vac – Vacutainer®
RB – Round bottom

Sar – Sarstedt
Rim – Skirted conical bottom

FRONTIER™ 5513L High-Speed Micro Centrifuges

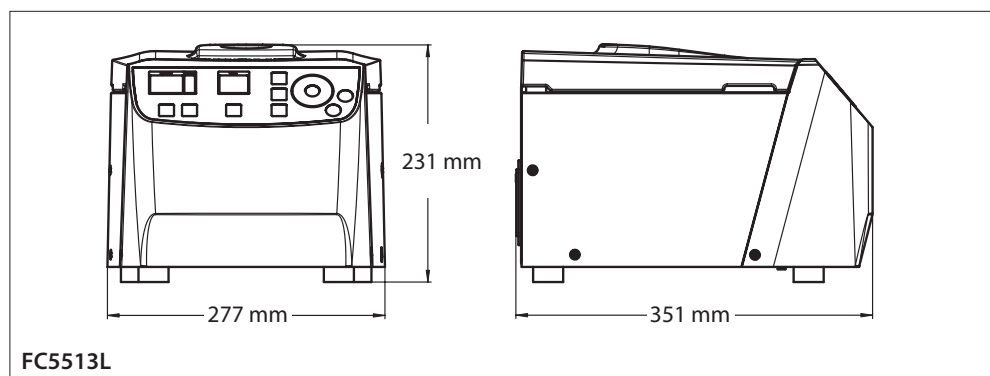
Other Standard Features and Equipment

Microprocessor control, Imbalance switch-off, Audible signal at the end of each run with melody options, Emergency release, 99 memory sets, Ten acceleration and ten deceleration rates, Pre-selection of running time from 10 sec to 99 hr 59 min or continuous, Quick spin for short runs.

Compliance

See Declaration of Conformity available CE Declarations | OHAUS

Outline Dimensions



OHAUS Europe GmbH

e-mail: ssc@ohaus.com

Tel: 0041 22 567 53 19

e-mail: tsc@ohaus.com

Tel: 0041 22 567 53 20

www.ohaus.com

The management system governing the manufacture of this product is ISO 9001:2015 certified.

80776874_B 20260226 © Copyright OHAUS Corporation

Click or scan for the web

